

## Installation and Application Manual: Drinking Water Faucet

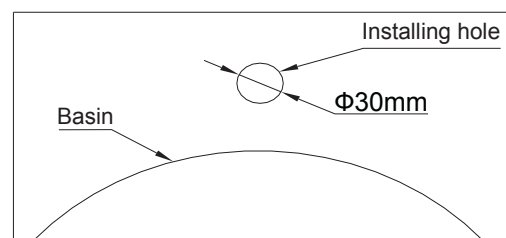
Please follow the installation instructions correctly to ensure the full efficiency of this product.

### Application Condition

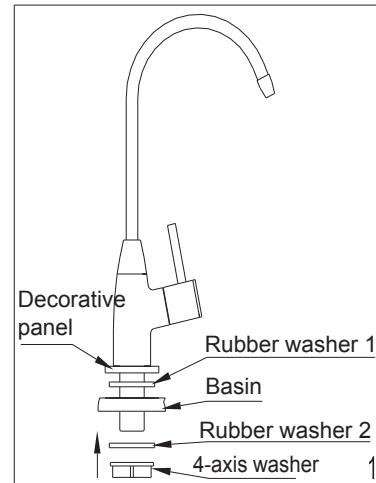
1. Cold & hot water pressure  
Minimum working pressure: 0.05MPa  
Maximum working pressure: 1.0 MPa
2. Do not use steam water for hot water supply.  
Water temperature  $\leq 90^{\circ}\text{C}$
3. Ambient temperatures  $> 0^{\circ}\text{C}$ , otherwise deformation, frozen tap cracking may occur.

### Installation

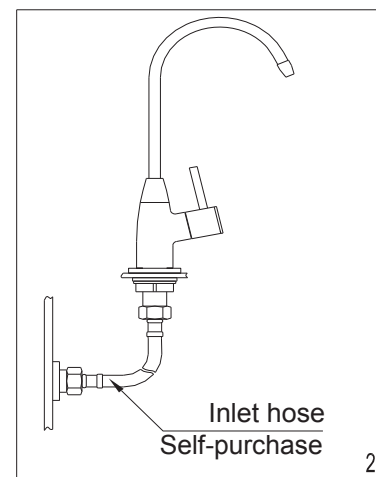
1. Flush the water supply pipes thoroughly to remove miscellaneous articles and debris to avoid pipe jam.
2. Hole Setting:  
Please make sure that the size of installing holes is  $\Phi 30\text{mm}$ , the position and specs are as below figure.



3. Installation of body base:  
Clear off dirt around the installing holes, watch carefully and do not scratch finishes when unpacking;  
Use soft cloth to clean the cap to avoid scratches.  
No full torque force allowed when installing,  
Use adjustable wrench to prevent deformation and fracture.



- 1) Take out the faucet, screw down the 4-axis washer and rubber washer2 from the faucet (put rubber washer 1 into the bottom of body base); insert the faucet with decorative panel and rubber washer into the installing hole on basin. Slide the rubber washer 2 and 4-axis washer onto the thread of the end of the faucet, tighten with a wrench. (Refer to figure1)



- 2) Attach the faucet and outlet connector of wall with inlet hose.

- 3) After installation, attach with water supply, double check all joints for leakages in ON and OFF modes, make sure all functions are good.

### Application

Gently rotate the handle of faucet to turn on or off; rotate in anticlockwise way to turning on, rotate in clockwise way to turning off.

### Cautions and Maintenance

1. To ensure product durability, please be gentle and slow during operating.
2. Do not use abrasive or polishing detergents which contain decontamination powder; do not use nylon brush for scrubbing.

3. Acid detergents are not recommended for cleaning, when using acid detergents near the product, please take extra care and mind possible damages to the finishing.
4. Clean products regularly to keep permanent, shiny and beautiful finishing.
5. If there is adhesion of cosmetic or detergent, dry it with a soft cloth after a thorough washing.
6. Shut down the water supply when it is out of use for a long time.
7. Please take protective measures when temperature is below zero degree.

### Disassembly and Inspection

When technical faults occur, please follow disassembly under instructions below.

Faults	Items
Leakage	1,2

## 纯净水龙头安装使用说明书

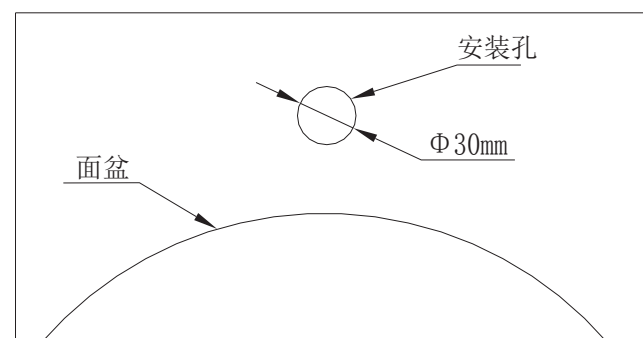
为了充分发挥产品功能，请按本使用说明书内容正确安装

### 使用条件

- 1、供冷水\*热水压力  
最低工作压力：0.05MPa  
最高工作压力：1.0MPa
- 2、热水请勿使用蒸汽，供水温度≤90℃
- 3、使用环境温度0℃以上，如果低于0℃，水栓可能会出现变形、冻裂等现象。

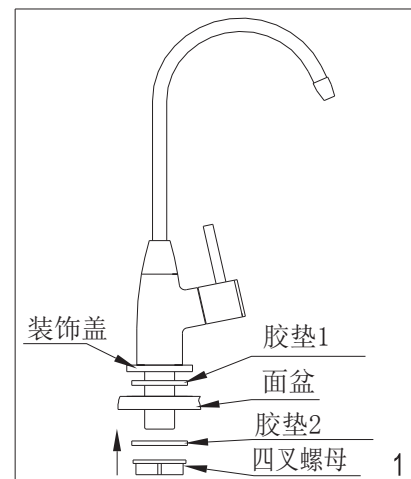
### 安装方法

- 1、供水管道的清理  
安装之前，务必清理管中杂物、砂粒等异物，以免造成堵塞。
- 2、孔的设定  
请注意面盆上安装孔尺寸为Φ30mm，具体安装位置与尺寸如图所示。

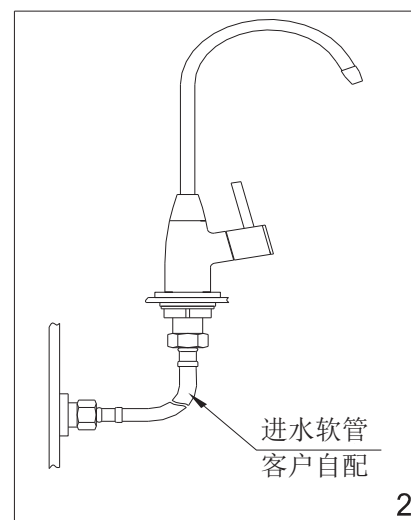


### 3、主体部分的安装

在安装前必须清除安装孔周围的污物；  
因为主体表面为电镀处理，所以打开包装时注意不要划伤电镀表面；  
安装时要用柔软的布包裹电镀表面，以防划伤；  
本产品不可用管钳全力扳扭，以防变形甚至扭断。



1) 如图1，先取出包装盒中的龙头后，再将龙头上面的四叉螺母和胶垫2取下，（胶垫1安装在装饰盖内套入阀体底部）。将装有装饰盖和胶垫1的龙头插入面盆的安装孔内，然后在龙头下端的螺纹上套入胶垫2和四叉螺母，并用扳手锁紧。



2) 用进水软管将龙头与墙面的出水接头相连接。

3) 安装完毕后，接通水源，反复检测龙头处于关闭和打开两种状态下，各衔接处是否有渗漏，在确认正常后，方可投入使用。

### 使用方法

轻轻转动龙头上的把手，即可实现打开和关闭。  
逆时针方向转动为开启，顺时针方向转动为关闭。

### 使用注意事项及保养

- 1、为保证产品持久耐用，在操作时请尽量柔和、缓慢。
- 2、不得使用去污粉、抛光粉等含粗颗粒的洗涤剂或尼龙刷洗。

- 3、由于酸性洗涤剂能侵蚀电镀层，故不得使用；如果用酸性洗涤剂洗过瓷砖，要立即对瓷砖及龙头进行充分水洗。
- 4、当龙头很脏时，用适量冲淡的中性洗涤剂浸布擦净，然后用干软布擦净龙头。
- 5、当有化妆品和洗涤剂粘着时，电镀表面会失去光泽，请充分水洗后用软布擦拭干净。
- 6、当您较长时间不使用该龙头时，请关闭您家里的进水总闸。
- 7、当环境温度在0℃以下时，请您对家里的用水设备采取必要的保暖措施。

### 拆卸与检查

安装后万一出现故障，请按以下要领拆卸。

